



Canadian Farm Insurance Corp.

# SOLID FUEL HEATING QUESTIONNAIRE

Clear photos of the heating appliance, flue to chimney connection and an exterior photo of the chimney should accompany this questionnaire.

Name \_\_\_\_\_ Address \_\_\_\_\_  
Policy No. \_\_\_\_\_ Telephone No. \_\_\_\_\_  
Broker \_\_\_\_\_ Inspected By \_\_\_\_\_

## WOOD BURNING APPLIANCE (Indicate actual clearances on diagram on reverse side)

Building appliance is installed in  Dwelling  Garage  Workshop  Other \_\_\_\_\_  
Manufacturer \_\_\_\_\_ Appliance Type \_\_\_\_\_  
Model \_\_\_\_\_ Age \_\_\_\_\_ Quantity of fuel used \_\_\_\_\_  
Is this appliance certified?  Yes  No Approved for use in a Mobile Home?  Yes  No  
If yes  CSA  Underwriters Laboratories of Canada  Warnock-Hersy Ltd (Canada)  
 ULI - small "c" outside of circle at 8 o'clock position denotes Canadian acceptance.

### Indicate approved clearances as per label or installation manual

Sides \_\_\_\_\_ Front side \_\_\_\_\_ Back side \_\_\_\_\_  
Above hot air plenum \_\_\_\_\_ Top side \_\_\_\_\_  
Above the first 6 ft of hot air ducting \_\_\_\_\_  
Floor protection:  
Left side \_\_\_\_\_ Right side \_\_\_\_\_  
Back of unit \_\_\_\_\_ Fueling door end \_\_\_\_\_

Note: This section is for the sole use of manufacturers' approved clearances as shown on the label or brochure. The "actual" clearances are to be shown on the diagram on the reverse side.

## MASONRY CHIMNEY

Concrete Block  Brick  Other \_\_\_\_\_  Built from ground  Bracket  
Chimney lining  Clay tile lining  factory certified stainless steel  Poured in place  
 None or other - Specify: \_\_\_\_\_

Clearance from outer shell of chimney to combustible material \_\_\_\_\_  
Age of chimney \_\_\_\_\_ years. General condition of chimney  Good  Fair  Poor  
Installed  Inside Building  Outside Building  Outside building in an insulated enclosure  
Is the chimney clean out in an easily accessible location?  Yes  No

## FACTORY BUILT METAL CHIMNEY

Manufacturer \_\_\_\_\_  
Certified for wood burning appliances bearing ULC-S629M label (commonly referred to as 2100')  Yes  No  
If no, explain \_\_\_\_\_  
Age of Chimney \_\_\_\_\_ years. General condition of chimney  Good  Fair  Poor  
Chimney is installed  Inside building  Outside building  Outside in insulated enclosure  
Clearance from chimney to combustible material \_\_\_\_\_ inches.

## GENERAL INSTALLATION QUESTIONS

Are ashes from appliance disposed of in a non-combustible container?  Yes  No  
If no, explain: \_\_\_\_\_  
Was the wood heat unit installed by a heating contractor?  Yes  No  
Firm or individual \_\_\_\_\_  
Was chimney installed by a heating or masonry contractor?  Yes  No  
Firm or individual \_\_\_\_\_  
Does the unit share a chimney flue with any other appliance?  Yes  No  
If yes, explain \_\_\_\_\_  
Does the stove pipe pass through a concealed space?  Yes  No  
How often is the chimney cleaned per heating season? \_\_\_\_\_ Date last cleaned \_\_\_\_\_  
Have any modifications been made?  Yes  No If yes, explain \_\_\_\_\_  
Distance from the stove to furniture, fuel or any other combustible material \_\_\_\_\_ inches.

COMPLETE ALL MEASUREMENTS AS PER APPLICABLE INSTALLATION ON THE DIAGRAM BELOW. ALL DISTANCES ON DIAGRAMS ARE TO BE MEASUREMENTS TAKEN FROM THE PARTICULAR INSTALLATION

### STOVE INSTALLATION

Distance from top of stove to ceiling \_\_\_\_\_

Describe construction of nearest side wall \_\_\_\_\_

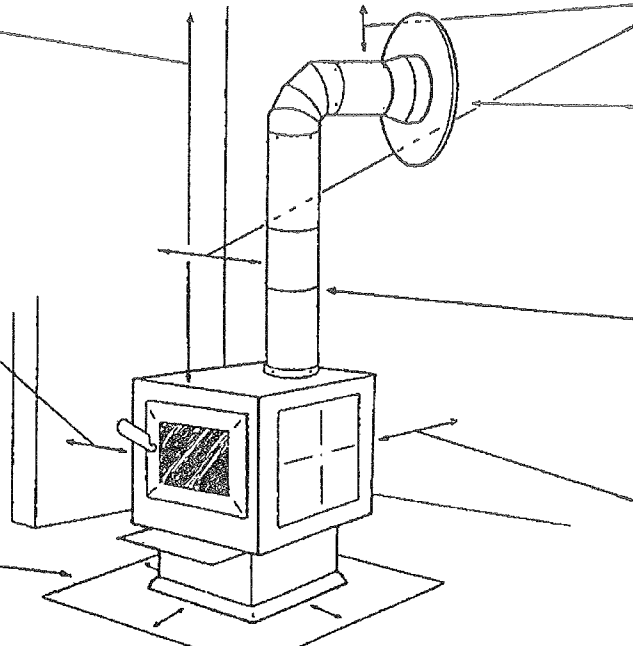
Distance from stove to nearest side wall \_\_\_\_\_

Construction of floor \_\_\_\_\_

Is there a non-combustible floor pad?  Yes  No

Type of floor protection \_\_\_\_\_

Distance from end of floor protection to stove:  
Front \_\_\_\_\_ Side \_\_\_\_\_ Back \_\_\_\_\_



Distance from stove pipe to ceiling \_\_\_\_\_ Wall \_\_\_\_\_

Is there a thimble/chimney Connector where stovepipe passes through wall or ceiling?  Yes  No

Describe construction of the ceiling \_\_\_\_\_

Describe construction of the Back wall \_\_\_\_\_

Total length of stovepipe \_\_\_\_\_

Distance from the stove to back wall \_\_\_\_\_

Construction of stovepipe  
 Galvanized  Black steel  
 Single wall  Double-lined

If the installation is shielded, describe the type and thickness of the shield \_\_\_\_\_ Distance from wall to shield \_\_\_\_\_". Construction of the spacers used \_\_\_\_\_

Draw the shield on the diagram above including distances the shield extends beyond the stove in all directions.

Distance from hot air plenum to floor joists \_\_\_\_\_

Distance from cold air plenum to floor joists \_\_\_\_\_

Distance from the hot air ducting to floor joists for the first 6' \_\_\_\_\_

Distance from the cold air ducting to the floor joists for the first 6' \_\_\_\_\_

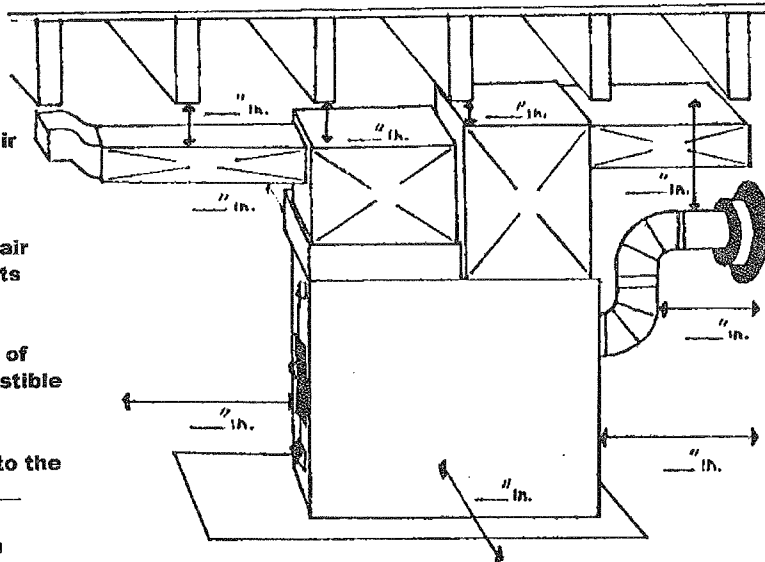
Distance from the front of the furnace to a combustible wall \_\_\_\_\_

Distance from furnace to the nearest side wall \_\_\_\_\_

Type of floor protection \_\_\_\_\_

Distance from end of floor protection to the furnace:  
Front \_\_\_\_\_ Side \_\_\_\_\_ Back \_\_\_\_\_

### FURNACE INSTALLATION



Distance from the stovepipe to ceiling \_\_\_\_\_ wall \_\_\_\_\_

Total length of stovepipe \_\_\_\_\_

Construction of stovepipe  
 Galvanized  Black steel  
 Single wall  Double-lined

Is there an insulated thimble where the stovepipe passes through the wall or ceiling?  Yes  No

Describe the construction of ceiling \_\_\_\_\_

Describe the construction of back wall \_\_\_\_\_

Distance from the furnace to back wall \_\_\_\_\_

If the unit is shielded describe the type and thickness of the shield \_\_\_\_\_

Distance from the shield to the wall/ceiling \_\_\_\_\_

**COMMENTS**

\_\_\_\_\_

\_\_\_\_\_

Completed by \_\_\_\_\_ Date \_\_\_\_\_